

# HOBART®

TM-272182A

2016-10

## Processes



Air Plasma Cutting

## Description

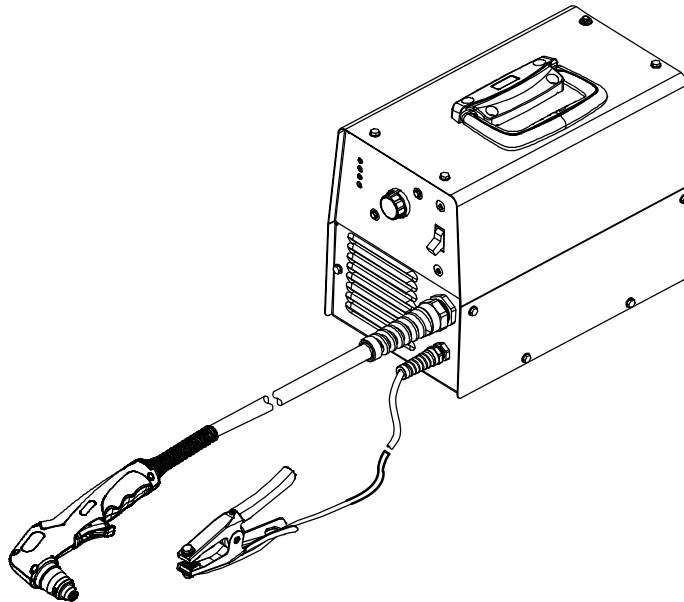


Air Plasma Cutter

# AirForce™ 40i And XT40R Torch

## PARTS LIST

Eff w/Serial No. MF346001P And Following



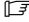
 Find us on  
Facebook 

[www.HobartWelders.com](http://www.HobartWelders.com)

File: Plasma Cutters



# SECTION 10 – PARTS LIST

 Hardware is common and not available unless listed.

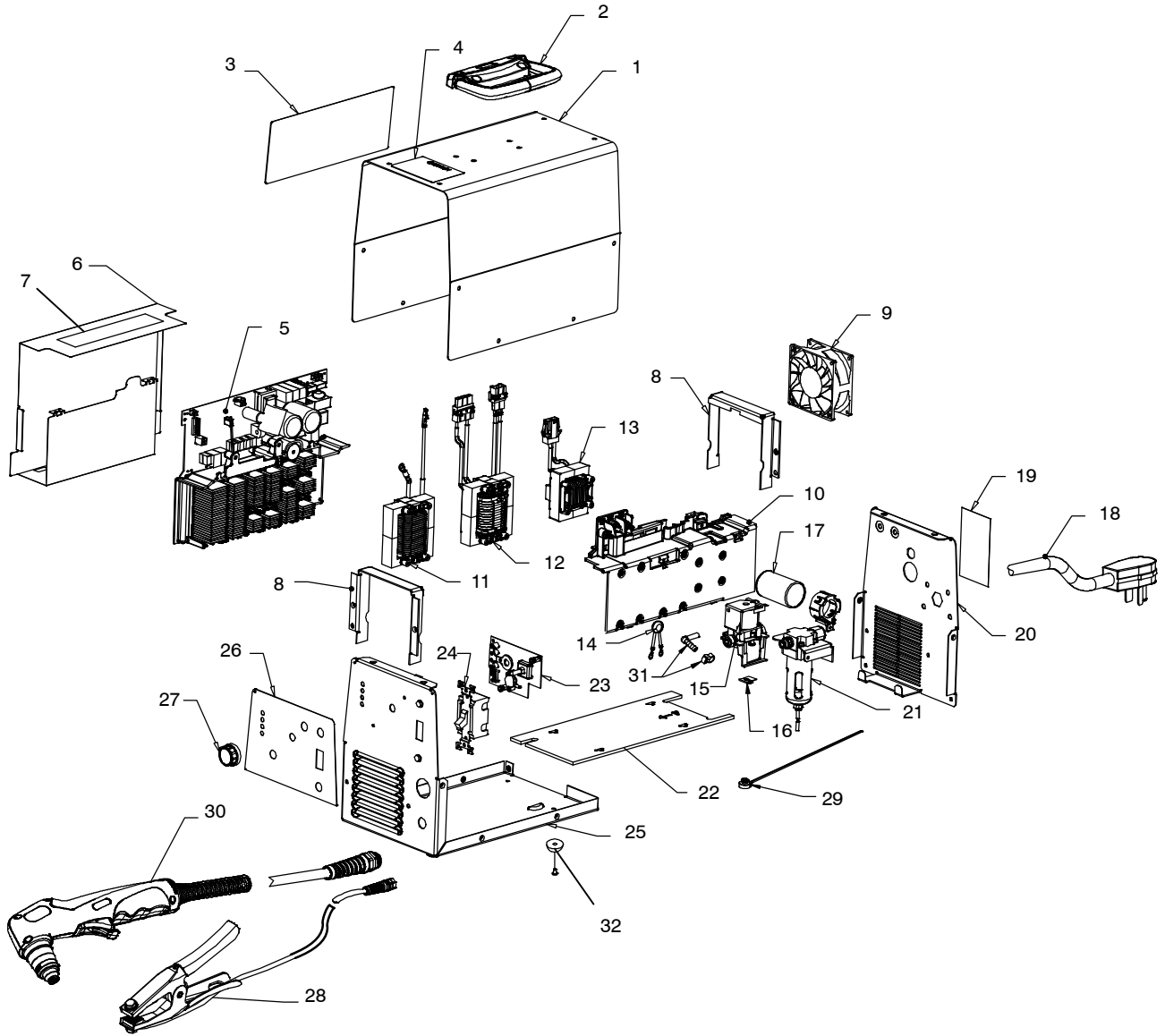


Figure 10-1. Main Assembly

Ref. 245 037-D

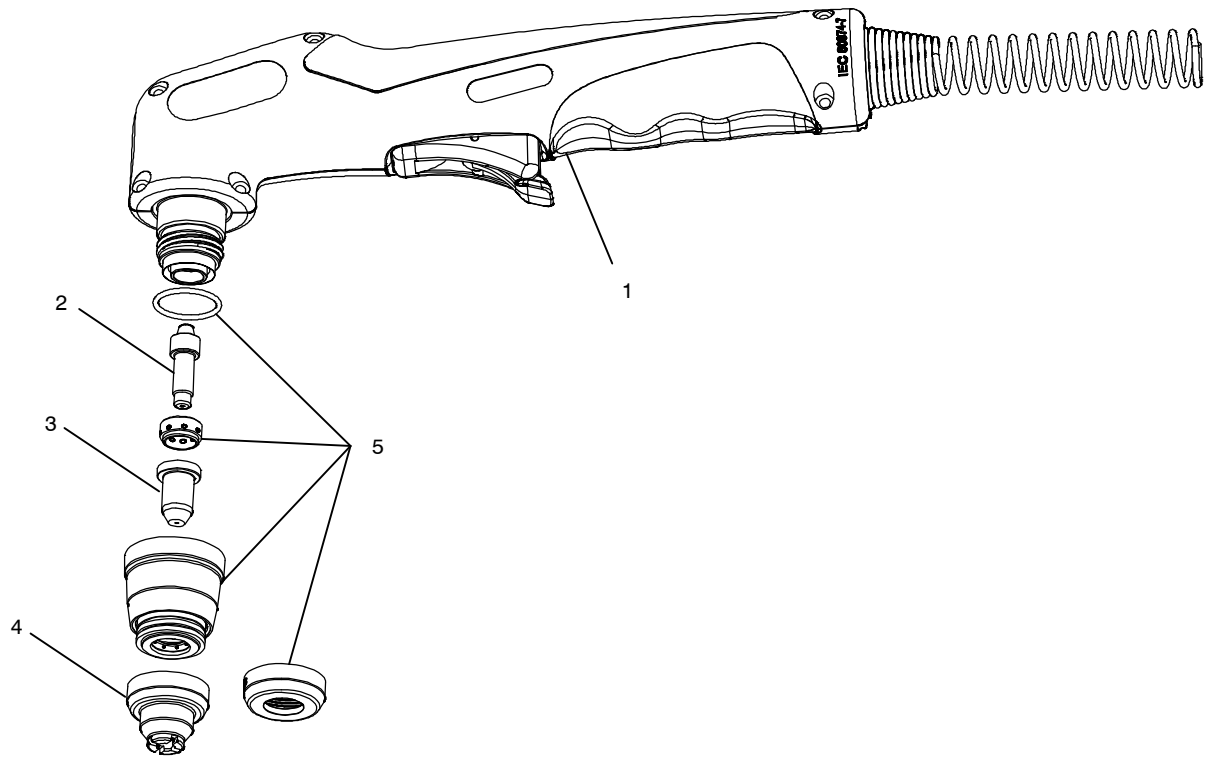
Item No.	Dia. Mkgs.	Part No.	Description	Quantity
----------	------------	----------	-------------	----------

**Figure 10-1. Main Assembly**

		273030	Cover Assy, Hobart Airforce 40i (Includes)	1
1		+242663	Wrapper	1
2		208015	Handle, Rubberized Carrying (Prior to MG311022P)	1
2		276345	Handle, Rubberized Carrying (Eff w/MG311022P)	1
3		272887	Label, Caution/Warning English/Spanish/French	1
4		271907	Label, Consumables XT40R	1
		272789	Kit, Replacement Circuit Card Assy Wndtnl H/S Af40i (Includes)	1
5	PC1	272765	Circuit Card Assy, Wndtnl Htsnk W/Cmpnts/Pgm Af-40i	1
6		258238	Insulator, Pcba And Heat Sink	1
7		208622	Label, Warn Elect Shock/Explod Parts/Do Not Remove	1
		146549	Rivet, Plastic .122 Hole X .039-.079 Grip Push	1
8		242664	Bracket, Power Module Mounting	2
9	FM	237122	Fan, Muffin 24Vdc 8000 Rpm 175 Cfm 3.248 Mtg	1
		240118	Shield, Magnetic Fan	1
10		238419	Magnetics/Windtunnel Assy (Includes)	1
11	L1	237753	Inductor, Input	1
12	T1	237125	Transformer, HF Litz 10:13	1
13	L2	237124	Inductor, Output	1
14	VR2	229878	Varistor, 360V 122 Joule w/Terminals	1
		238366	Valve, Proportional 2-Way (Includes)	1
15	AS1	236938	Valve, Proportional 2-Way w/o Pressure Switch	1
16	PC3	237989	Circuit Card Assy, Pressure Switch	1
		257558	Ftg, Plstc Elbow Union 5/16 Tbg X 5/16 Tbg One-Touc	1
		244386	Ftg, Plstc Plug-In Reducer Nipple 5/16 X 1/4	1
		263290	Ftg, Plstc Elbow Qdisc 1/4 Stem X .250 Tbg	2
17	C2	239408	Capacitor Assy	2
18		269482	Cord Set, 250V 6-50P 10Ga 3/c	1
		010916	Conn, Clamp Cable .750	1
19			Label, Rating Card (Order By Model And Serial Number)	1
20		242662	Panel, Rear	1
		244621	Blank, Snap-In Nyl .281 Mtg Hole Black	2
		184946	Blank, Snap-In Nyl .625 Mtg Hole Black D/D	1
21		244007	Filter, Air w/Fittings And Bracket	1
		227877	Filter, Air Element	1
22		242860	Insulator, Base	1
23	PC2	242428	Circuit Card Assy, LED/Pot	1
24	S1	124511	Switch, Tgl DPST 40 Amp 600VAC SCR Term	1
		181708	Gasket, Switch	1
		258599	Insulator, On/Off Switch	1
25		242661	Case Section, Base/Front	1
26			Nameplate, Front AirForce 40i (Order by Model and Serial No.)	1
27		174991	Knob, Pointer	1
28		272527	Cable, Work 12Ft 12Ga w/Clamp And Terminals (Includes)	1
		262557	Clamp, Work 200 Amp - Plasma	1
		244573	Strain Relief, Cable Flexible .150-.320 Cable	1
29	PS1	236003	Pressure Sensor 0-100mV DC/0-100 psi	1
30		268922	XT40R, 12Ft Hand Held Torch	1
31		250798	Kit, Replacement Fittings Torch	1
32		227886	Mount, Nprn .969 Od X .375 Rec X .188 X .344	4
		197740	Nut, Nylon Strain Ril Cndt Thd Pg21 .281thk 1.406od	1
		220457	Label, Need Help	1
		237784	Lead Assy, Elect Cntrl Bd To Press-Sw Bd/Prop-Valve	1

+When ordering a component originally displaying a precautionary label, the label should also be ordered.

**To maintain the factory original performance of your equipment, use only Manufacturer's Suggested Replacement Parts. Model and serial number required when ordering parts from your local distributor.**



**Figure 10-2. Torch, XT40R**

Item No.	Dia. Mkgs.	Part No.	Description	Quantity
<b>Figure 10-2. Torch, XT40R</b>				
1		268923	Xt40r, 12ft Hand Held Torch (Replacement)	1
		252938	Torch Body Assembly (Kit) (Includes)	1
		249973	Cup Detect Switch W/Screws	1
		249972	Torch Trigger Assembly W/Spring	1
2		770791	Kit, Electrodes (2) For Hobart Xtr Torches	1
3		770797	Kit, Tips (2) For Hobart Xt40r Torch	1
4		770798	Kit, Drag Shield For Hobart Xt40r Torch	1
5		770793	Cup, Swirl Ring, O-Ring, Deflector Xt30r/40r	1
		269655	Consumable Kit, Xt40r (Ps)	1