



TM-230 455B 2010-04

Eff. w/Serial Number LH090119P

Processes



Air Plasma Cutting
and Gouging

Description

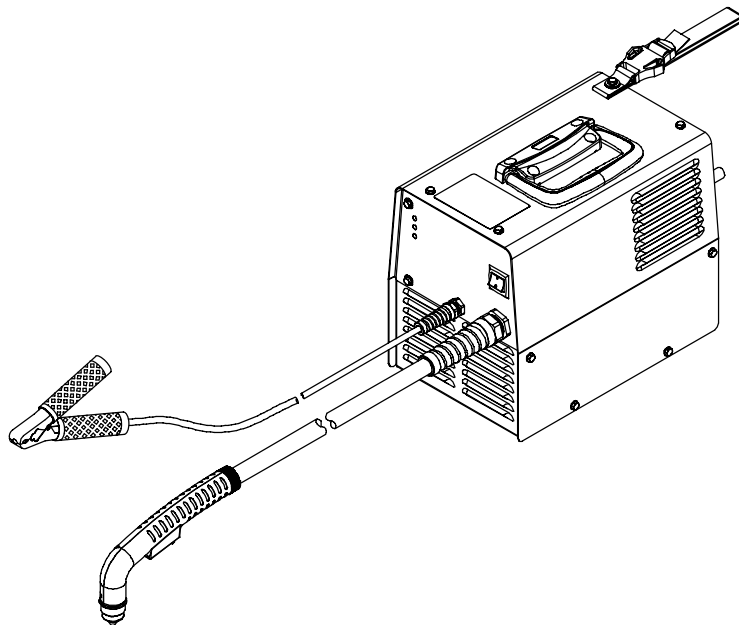


Air Plasma Cutter

AirForce™ 250ci And HP-25 Torch

PARTS LIST

Eff w/LH090119P And Following
For OM-230 455 Revision A And Following



TECHNICAL MANUAL

File: Plasma Cutters

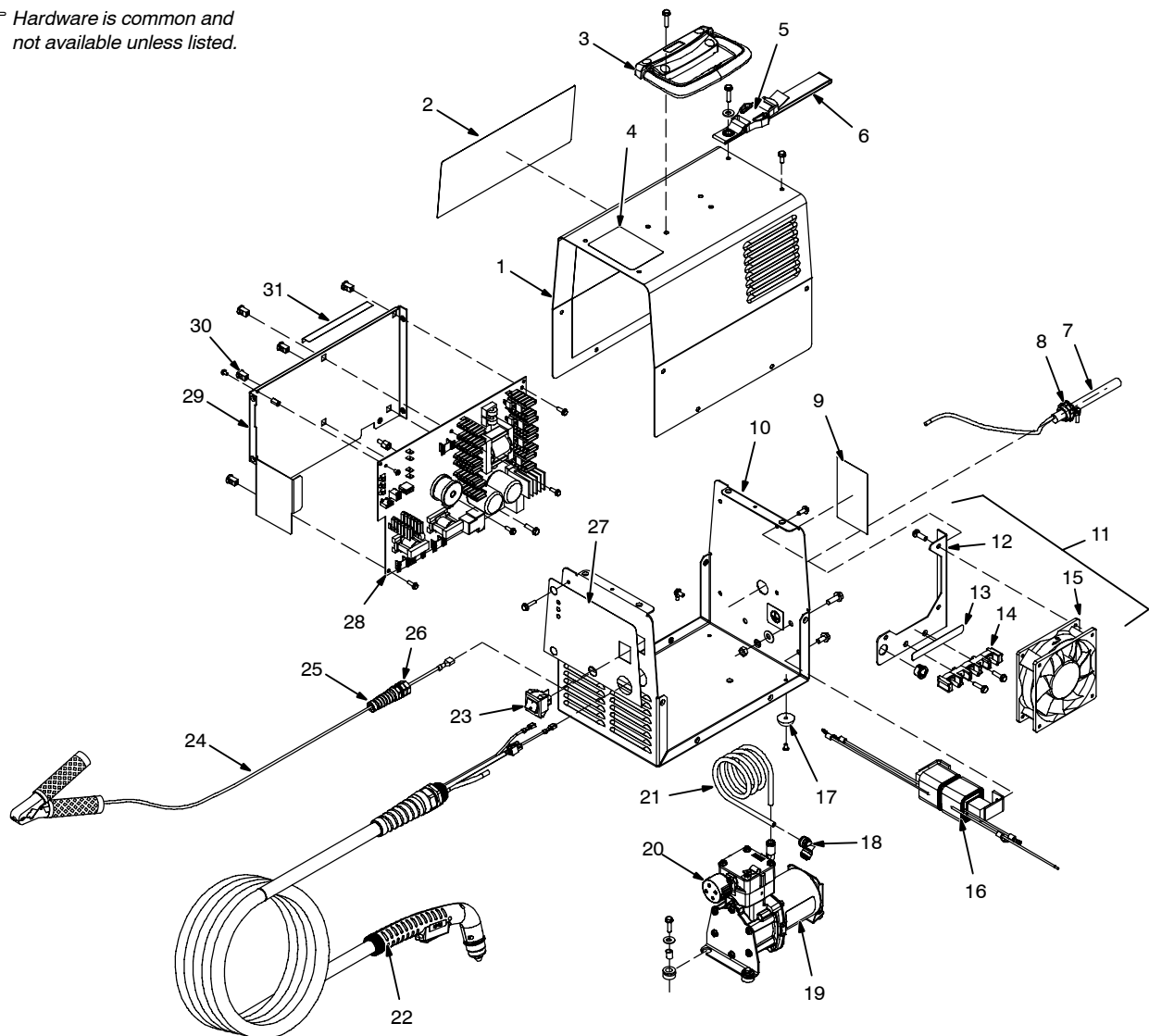


www.HobartWelders.com



SECTION 1 – PARTS LIST Eff w/LH090119P And Following

☞ Hardware is common and not available unless listed.



804 893-A

Figure 9-1. Main Assembly

Item No.	Dia. Mkgs.	Part No.	Description	Quantity
----------	------------	----------	-------------	----------

Figure 9-1. Main Assembly

...	1	230438	WRAPPER,	1
...	2	230530	LABEL,CAUTION/WARNING ENGLISH/SPANISH	1
...	3	208015	HANDLE,RUBBERIZED CARRYING	1
...	4	230446	LABEL,HP-25 TORCH CONSUMABLES	1
...	5	229167	LABEL,CAUTION NOT A HANDLE	1
...	6	227890	STRAP,CABLE W/BUCKLE & GROMMET BLACK	1
...	7	230444	CABLE,POWER 7 FT 16GA 3C	1
...	8	216296	CLAMP,CABLE 1/4 ID STL GALV	1
...	9	230448	LABEL,RATING CARD CSA 500534	1
...	10	230437	CASE SECTION,BASE/FRONT/REAR	1
...	11	231910	FAN ASSY,W/BRACKET & TERMINAL BLOCK (including)	1
...	12	230458	'BRACKET,FAN	1
...	13	232079	LABEL,CONNECTION TERMINAL 1T	1
...	14	202056	BLOCK,TERM 60 AMP 3 POLE 10-32	1
...	15	230447	FAN,MUFFIN 24VDC 4500 RPM	1

Eff w/LH090119P And Following

Item No.	Dia. Mkgs.	Part No.	Description	Quantity
Figure 9-1. Main Assembly (Continued)				
... 16	232429	.. INDUCTOR,BOOST	1
... 17	227886	.. MOUNT,NPRN .969 OD X .375 REC X .188 X .344	4
... 18	231914	.. FTG,PLSTC ELBOW QDISC 1/4 OD X 6MM OD TUBING	1
... 19	230441	.. COMPRESSOR,14.5VDC/19AMPS 1.18SCFM/40PSI	1
... 20	232015	.. FILTER,COMPRESSOR AIR INTAKE	1
... 21	216276	.. TUBING,COPPER COIL HEAT EXCHANGER SPECTRUM 125C	1
... 22	232647	.. HP-25,16.4FT/5M HAND HELD PLASMA TORCH (REPLCMNT)	1
... 23	177396	.. SWITCH,ROCKER DPST 15A 250VAC OFF-NONE-ON	1
... 24	230445	.. CABLE,WORK 16.5 FT 12 GA W/CLAMP & TERM	1
... 25	115104	.. CONN,CLAMP CABLE .500	1
... 26	227831	.. NUT,NYLON STRAIN RLF PG9 .218 THK .859 OD	1
... 27	230442	.. NAMEPLATE,HOBART AIRFORCE 250CI	1
... 28	231915	.. CIRCUIT CARD ASSY,CONTROL AIRFORCE 250CI W/PGM	1
... 29	230459	.. BRACKET,PWB MOUNT	1
... 30	070026	.. STAND-OFF,NO 6-32 X .437 LG .250 HEX AL FEM	6
... 31	179190	.. LABEL,WARNING SHOCK AND RESIDUAL VOLTAGE ON CAPACI	1
.....	770496	.. CONSUMABLE KIT,TIP, ELECTRODE HP-25/40 PLASMA TORCH	2
.....	770497	.. CONSUMABLE KIT,CUP,SWIRL RING,O-RING, HP-25 PLASMA TORCH	1
.....	233321	.. STAND-OFF GUIDE, HP-25 PLASMA TORCH	1

To maintain the factory original performance of your equipment, use only Manufacturer's Suggested Replacement Parts. Model and serial number required when ordering parts from your local distributor.

Eff w/LH090119P And Following

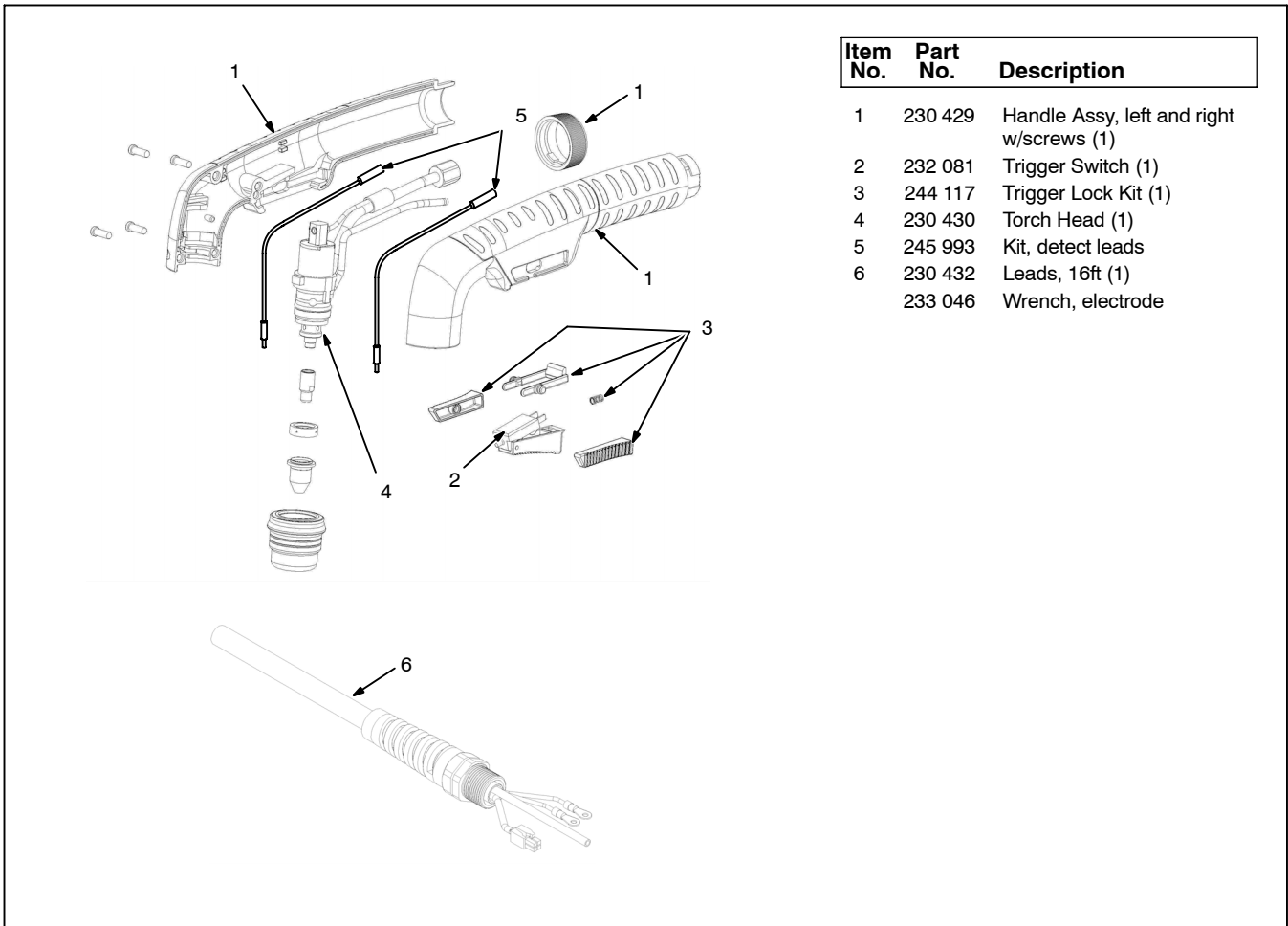


Figure 9-2. Torch, HP-25

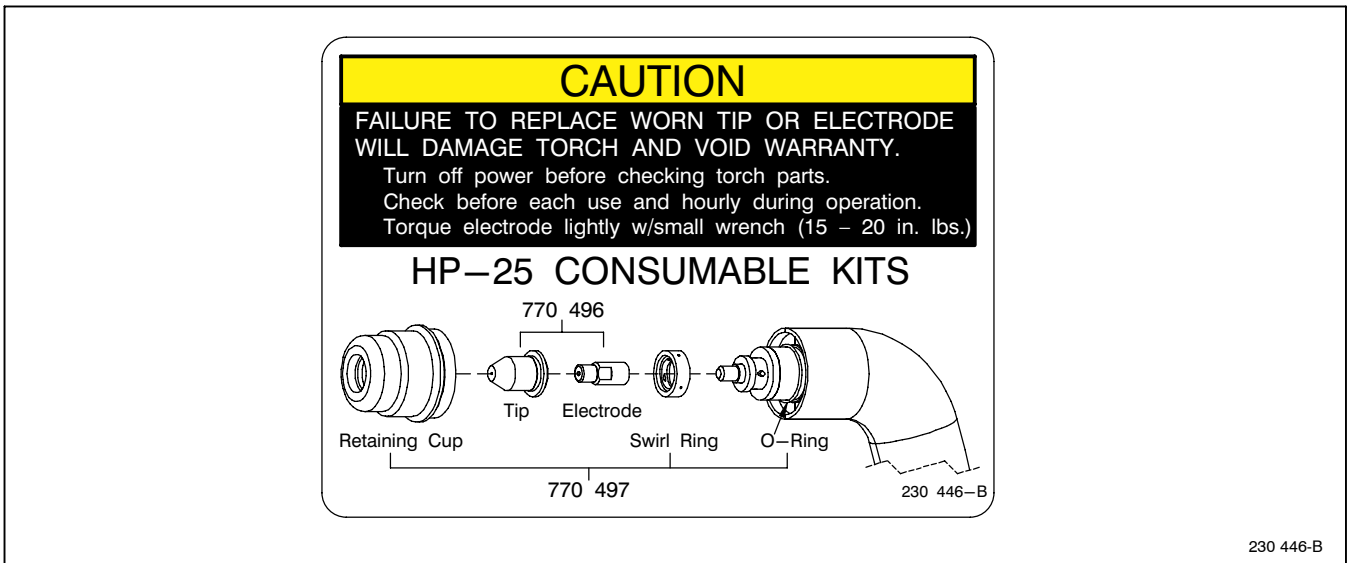


Figure 9-3. Consumable Parts For HP-25

Hobart Welding Products

An Illinois Tool Works Company
600 West Main Street
Troy, OH 45373 USA

For Technical Assistance:

Call 1-800-332-3281

For Literature Or Nearest Dealer:

Call 1-877-Hobart1

